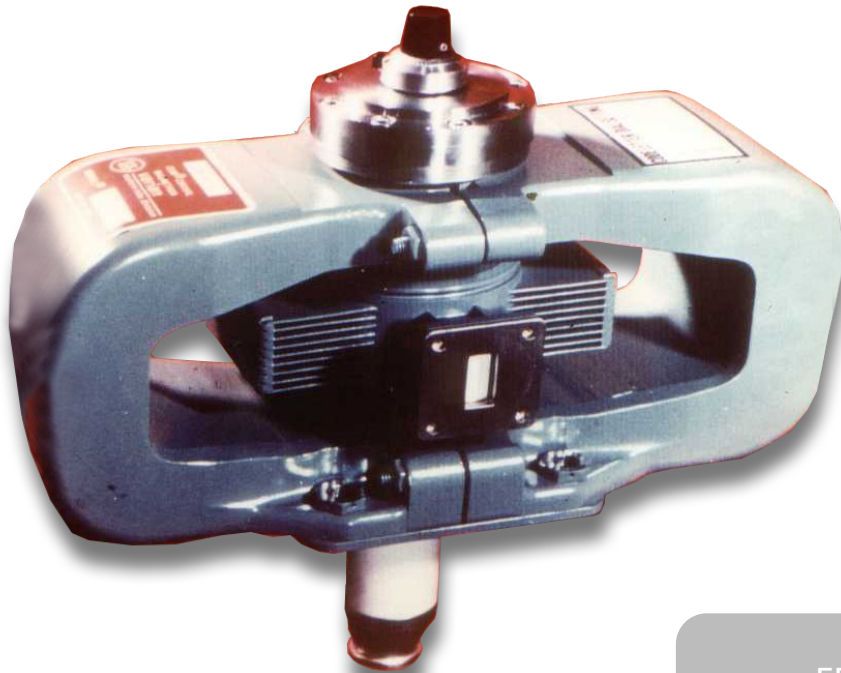


CPI Electron Device Business - Coaxial Magnetron



FEATURES:

- Frequency 8.5 – 9.6 GHz
- Peak power output 70 kW
- Duty cycle .0012
- Anode voltage 18 kV
- Anode current 15 amps
- Pulse width 2.0 microseconds
- Heater 13.75 volts @3.1 amps
- Air cooled
- Mechanically tunable

BENEFITS:

- Long life
- Exceptional frequency stability

APPLICATIONS:

- Threat simulator radars
- Weather radars

CPI EDB X-Band 70 kW Coaxial Magnetron: VMX1135

Electrical Specifications

Frequency	8.5 – 9.6 GHz
Peak power output	70 kW
Average power output	0.106 kW
Pulse voltage	16.5 – 19.5 kV
Peak anode current	15 A
Average anode current	18.75 mA
Pulse width	2.0 μ S
Duty cycle	0.0012
Maximum filament voltage	15 V
Maximum filament current	3.6 A
Minimum warm-up time	150 S
Maximum load VSWR	1.5:1

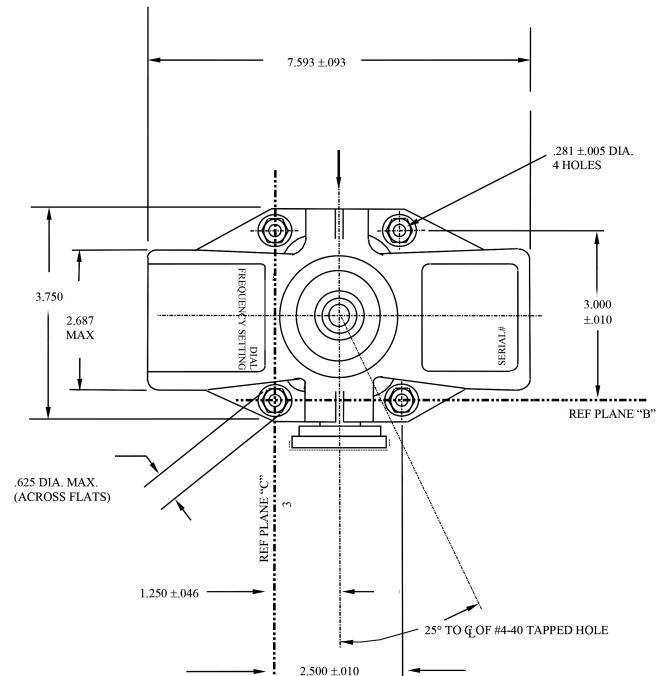
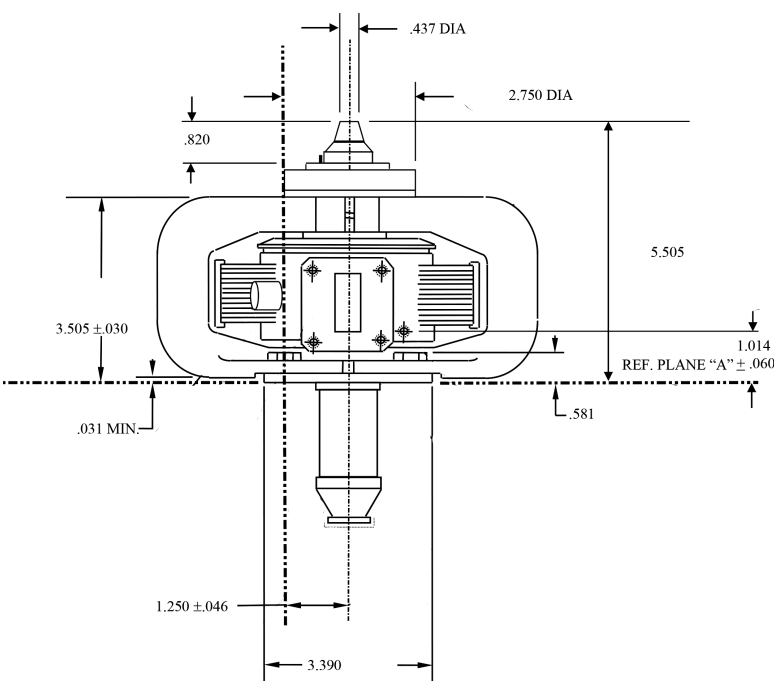
Mechanical and Environmental Specifications

Cooling	Forced air
Maximum body temperature	125°C
Mounting position	Any
Support	Mounting flange
Coupling	WR112
Tuning	6.5
Weight	13.5 lbs. (5.12 kg)

*Electrical specifications are typical. Other operating conditions are obtainable.

With a history of producing high quality products, we can help you with your magnetron.

Contact us at ElectronDevices@cpi-edb.com or call us at +1 978-922-6000.



Beverly Microwave Division
 150 Sohler Road
 Beverly, Massachusetts
 USA 01915

tel +1 978-922-6000
 email ElectronDevices@cpi-edb.com
 fax +1 978-922-8914
 web www.cpi-edb.com

For more detailed information, please refer to the corresponding CPI EDB technical description if one has been published, or contact CPI EDB. Specifications may change without notice as a result of additional data or product refinement. Please contact CPI EDB before using this information for system design.

©2024 CPI Electron Device Business. Company proprietary; use and reproduction is strictly prohibited without written authorization from CPI EDB.